



Variable Chamber Round Balers

VARIANT

585 580 565 560

CLAAS



In a large family,
everyone can play to their strengths.



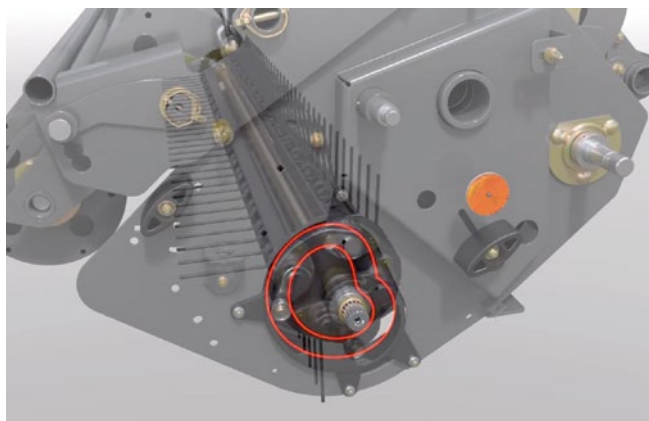
VARIANT		585 RC PRO	565 RC PRO	580 RF / RC	560 RF / RC
Bale width	in (m)	47 (1.2)	47 (1.2)	47 (1.2)	47 (1.2)
Diameter	in (m)	36 - 71 (.9 - 1.8)	36 - 63 (.9 - 1.6)	36 - 71 (.9 - 1.8)	36 - 63 (.9 - 1.6)
Pick-up width	in (m)	● 83 (2.1) ○ 92.5 (2.35)	● 83 (2.1) ○ 92.5 (2.35)	● 83 (2.1) ○ 92.5 (2.35)	● 83 (2.1) ○ 92.5 (2.35)
HD drive		●	●	–	–
Crop feed system		RC HD (17 knives)	RC HD (17 knives)	RC (14 knives) / RF	RC (14 knives) / RF
Number of driven rollers		2	2	2	2

● Standard ○ Optional – Not available



- 1 Cam-controlled pick-up with 83" (2.10 m) or 92.5" (2.35 m) working width
- 2 Roller crop press (single and double roller crop press available)
- 3 Exclusive to CLAAS: 100% bale start under any harvesting condition thanks to the active rotor
 - Rotor: ROTO FEED rotor | ROTO CUT cutting rotor with 14 knives | ROTO CUT HD rotor with 17 knives
- 4 Optional PRO hydraulic drop floor
- 5 High drive torque with a belt speed of approx. 10 ft/s (3 m/s)
- 6 4 reliable, high-strength endless belts
- 7 Fast and reliable comfort net wrapping with easy loading
 - XW net wrapping with over-the-edge technology for optimal bale shape retention
- 8 SMART DENSITY with two independent tensioning arms for high density as well as soft core bales with a solid outer shell
 - Bale size, bale pressure and soft core diameter can be adjusted from the cabin
- 9 Fast tailgate: bale discharge within 6 s
- 10 CEMIS 700
- 11 Large tires up to 22.5"
- 12 1.9 gal (7.2 l) | lubricating capacity
- 13 Centralized manual greasing standard, electric automatic greasing as an option

Permanently hungry –
leaving nothing behind.



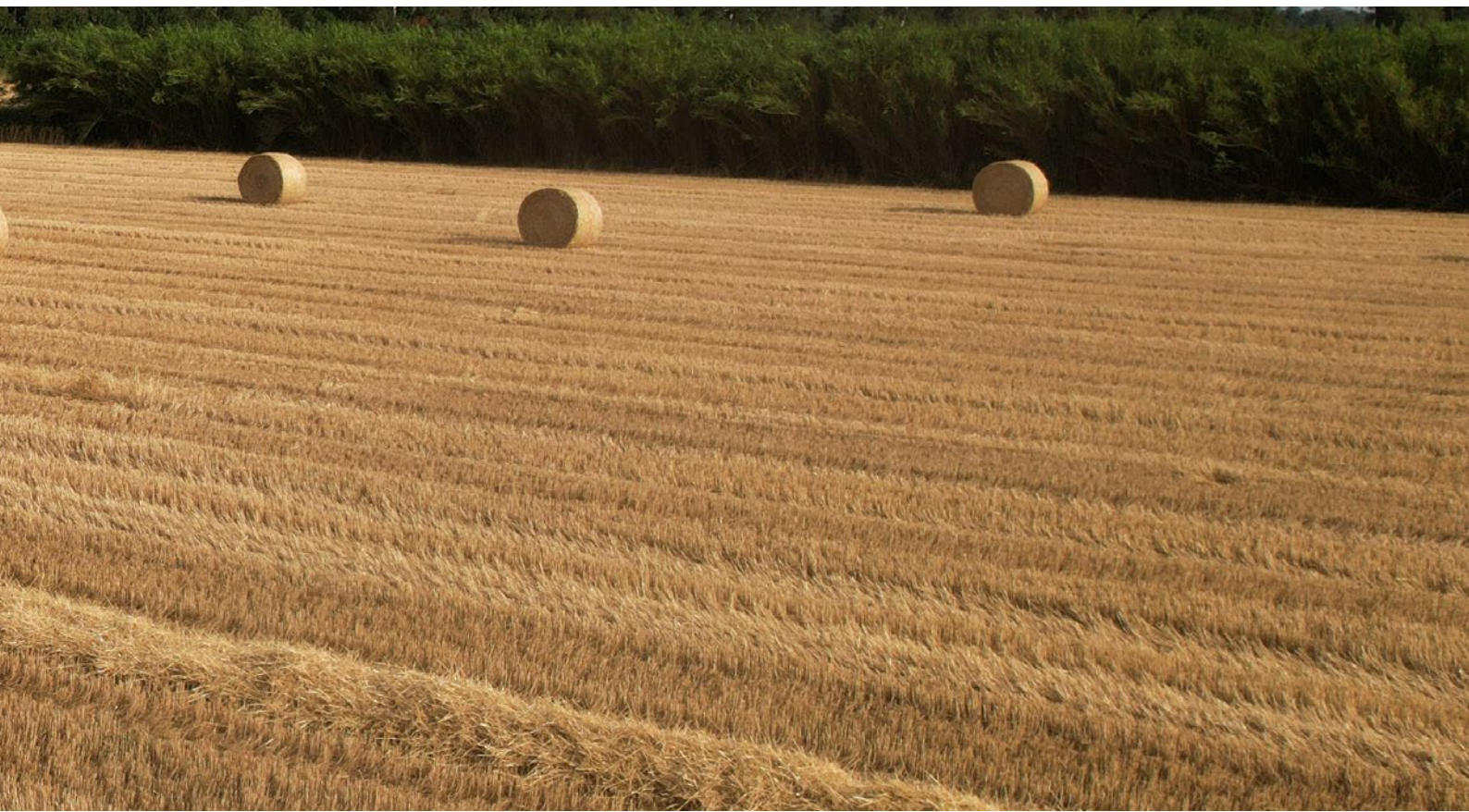
Cam-controlled pick-up.

The VARIANT was the first round baler with a 83" (2.10 m) pick-up. Its vast pick-up capacities and exceptional performance data are still impressive today. The working height of the pick-up can be adjusted without tools. The smart pickup control is particularly important. It improves the crop flow, especially with short crops, and significantly increases the service life. Even a 92.5" (2.35 m) pick-up is optionally available.



Double roller crop press.

Proven thousands of times over, and continuously optimized: The front-mounted double roller crop press is available as optional equipment. It compacts the crop perfectly, speeds up the crop flow and ensures active feeding of the crop to the rotor.



No rest, no rust. Central lubrication.

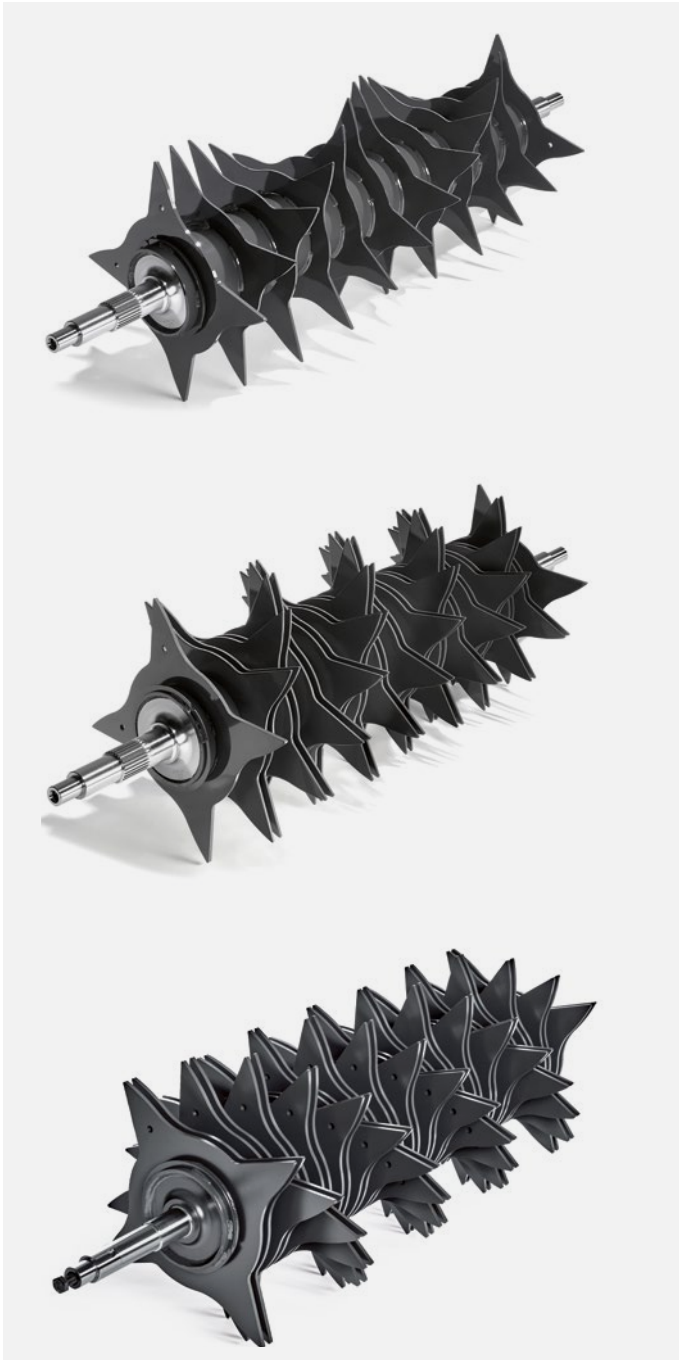
High Standard: The distribution units in the 1.9 gal (7.2 l) lubrication system supply each individual chain with the exact amount of oil needed for a long and smooth-running operation. A large opening for easy refill and adjustable wide brushes make maintenance a breeze. And thanks to the extended service life of the chains, you also save valuable time and money.



Years of operation.

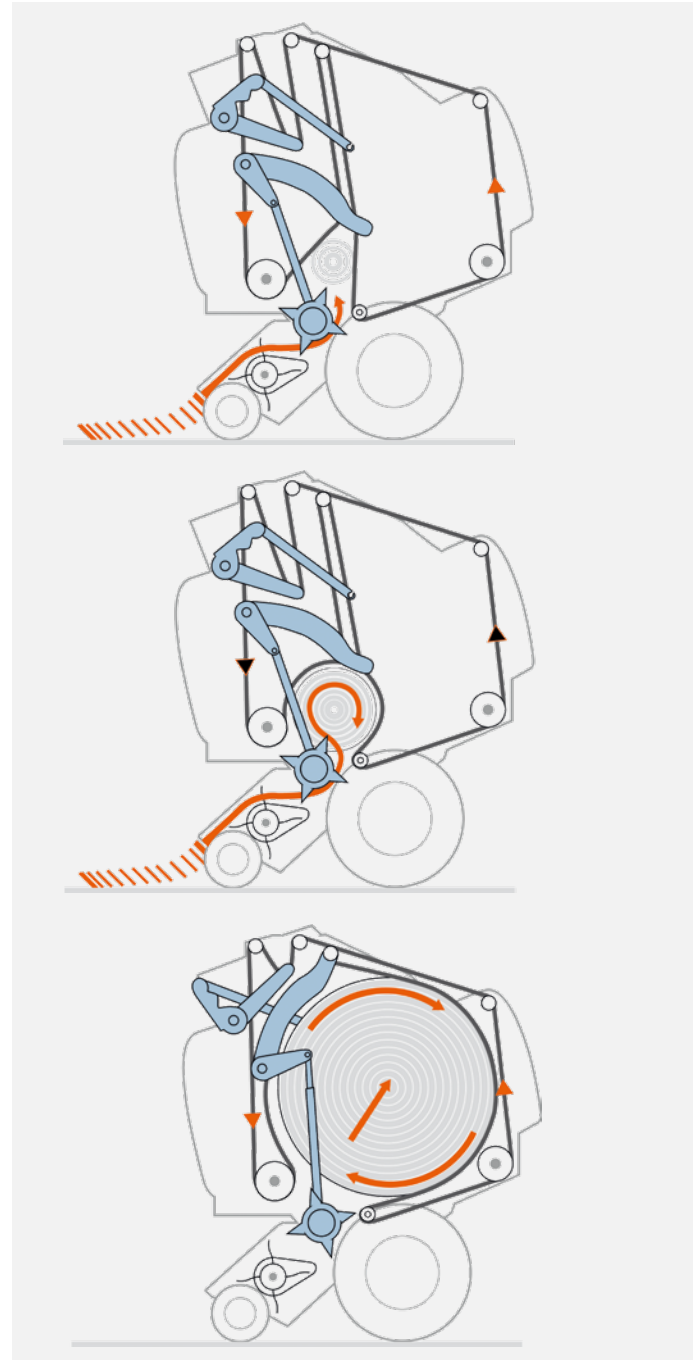
While centralized manual greasing is standard, machine longevity and maintenance intervals can be further increased with the addition of an automatic central lubrication system, available as an option. Lubrication intervals can be set from the comfort of your cab. This makes sure each bearing gets the right amount of grease throughout the day, not just when it is convenient for the operator.

Everything revolves around the rotor.



ROTO FEED | ROTO CUT | ROTO CUT HD.

The VARIANT RF models feature a spiral ROTO FEED rotor, while the VARIANT RC models come with a spiral ROTO CUT cutting rotor that ensures excellent forage quality and high baling density. The VARIANT 565 RC and 585 RC additionally include heavy duty drive components such as a thicker cutting rotor with 5/16 (8 mm) double-tine stars, 17 instead of 14 knives, special knife protection and reinforced drive chains.



Genuine core competence: Rotor starts bale.

CLAAS exclusive: The belts and cutting rotor rotate in opposite directions. The fast-turning rotor engages directly with the bale and ensures its forced start – creating a firm core with every bale and under all conditions. This also prevents the belts from slipping. You'll feel these advantages every minute you operate the machine because you can always drive the VARIANT at full speed.



360° tine arrangement.

The tines in all VARIANT models are arranged helically over 360° so that even short material and small swaths can be distributed very well. The uniform filling of the bale chamber by the four-star rotor allows you to operate the VARIANT at incredibly high work rates and results in optimally shaped bales.

PRO hydraulically lowerable drop floor.

The VARIANT 585 and 565 are equipped with the hydraulic PRO drop floor. This floor can be lowered hydraulically to clear blockages at the push of a button from the tractor cab. But it doesn't only remove blockages, it can also help avoid them in the first place: Capacity utilization is displayed to the driver so that the optimum speed can be selected depending on loads. Additionally, the PRO drop floor compensates for uneven swaths by being able to lower itself by up to 1 3/16" (30 mm).

SMART DENSITY.

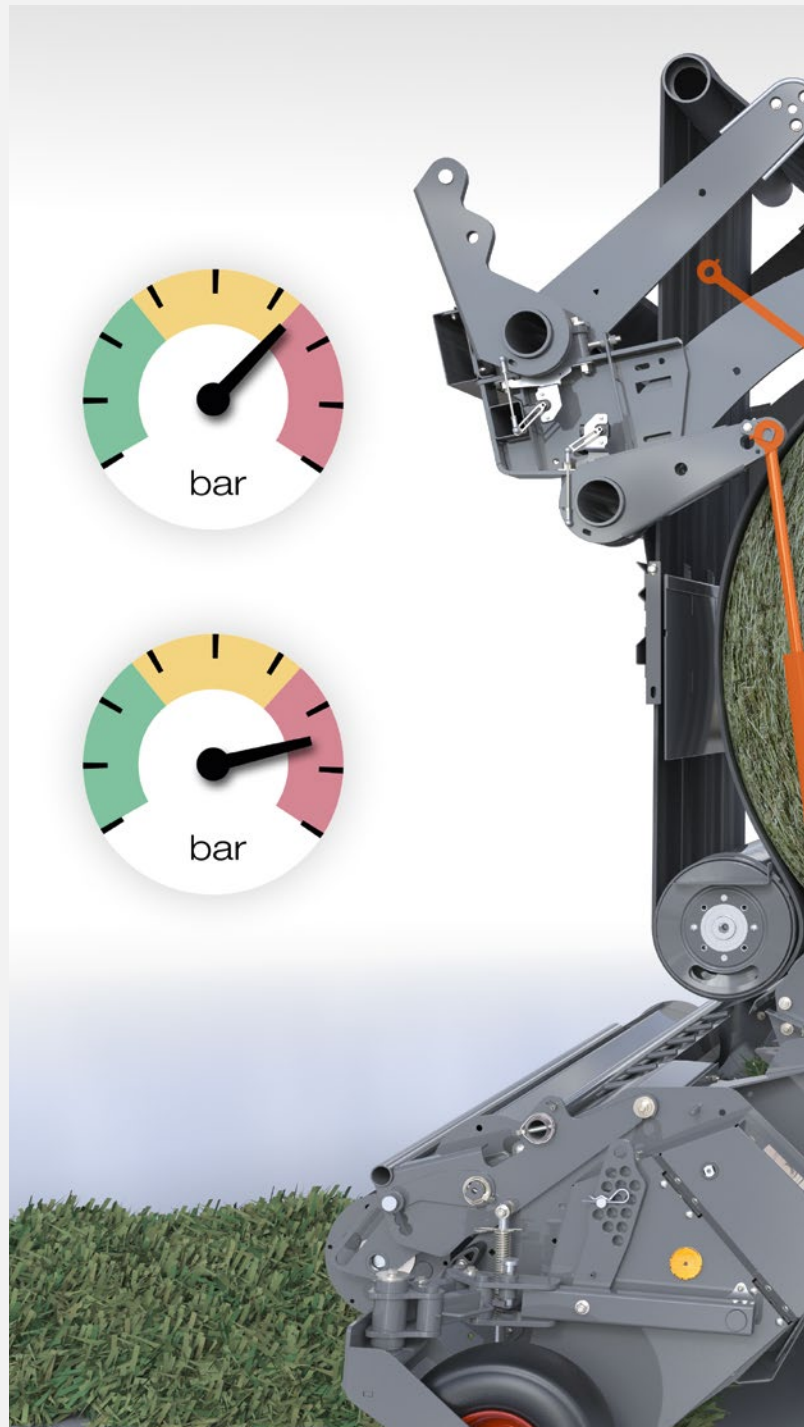
Hard and soft core bales made easy.

Soft core with solid outer shell.

Your hay is a little too wet, but rain is moving closer? You want to have a softer core for less residue in your ring feeder? Or need some light bales for easier transport? With the VARIANT, you get a real soft core for your bales thanks to the two independent tensioning arms. Without leaving your cab, you can change from high density to real soft core bales and even choose a small, medium or large diameter for this soft core.

Outperforming bale density.

VARIANT round balers have unmatched bale density in all crops, from wet baleage to dusty straw, these machines get the crop packed tightly. More material in one bale equals fewer bales to handle, less fuel, less labor, less net wrap, and less depreciation used per year. Studies have also shown that dense baleage preserves crop nutrients longer when wrapped with high-quality silage film. Less feed loss, better feed-to-gain, and more money in your pocket are just some benefits of dense bales from the VARIANT round baler.





SMART DENSITY.

Smart baling system: To ensure the desired bale density, the active hydraulic system combines three hydraulic cylinders with a double tensioning arm system. Thanks to the intelligent SMART DENSITY baling system, both tensioning arms are controlled independently of each other. This provides actively controlled guidance and smooth operation - allowing you to build a bale exactly to spec with both hard- and soft-core options in all conditions.

Driving experience.

The VARIANT supports you in every operation with a high level of comfort. The SMART DENSITY technology makes it very easy to set and select parameters: Simply go to your settings menu to select your crop, your bale size and your bale pressure - and you're ready to go!

We've got you covered.



Full view and easy loading.

While working, you have an excellent view of the net wrap or twine at all times, as you have come to expect from CLAAS balers. This allows you to monitor the roll and the tying process. When your roll of net wrap or twine is empty, the reduced height enables easy and safe roll changes.



Variable stretch and net brake.

An adjustable variator causes the rubber roller to rotate more slowly and thus pre-stretches the net. Thanks to the helical stretching device, the net is always safely wrapped across the full bale width. You can adjust the stretch manually depending on the net wrap used - With high quality net wrap from CLAAS and a high stretch, your bales will stay perfectly in shape! To ensure clean wrapping from the first bale to the last, the net brake automatically increases the braking effect as the net roll gets smaller.



Patented intake plate and automatic start.

The CLAAS exclusive intake plate stays open during baling to prevent any accumulation of forage. During wrapping and tying, however, the plate is closed so that the net or twine is precisely guided. The result: a highly reliable wrapping and tying system – and very satisfied drivers. Wrapping and tying starts automatically as soon as the desired bale diameter has been reached. Thanks to its high belt speed of up to 10 ft/s (3 m/s), this process is particularly fast.



Standard: CLAAS Covered XW net wrapping.

Whether hay, straw or silage – with the extra-wide wrapping you get perfectly shaped bales with excellent shape retention. The helical rollers of the VARIANT ensure optimum overlap at the bale edges for reliable protection. As an option, all models can be equipped with twine binding.

Hard work is easy as child's play.

Machine operation.

However much you enjoy your work, it shouldn't fill every hour of every day. So every day we do our best to ease your workload, with good ideas, robust equipment and innovative technology. User-friendly, convenient operation and comfort are always our number one focus.





Three versions. Unique build concept.

Operation via touchscreen, rotary pushbutton or keys. In total, the CEMIS 700 offers three different approaches to control the unit. Operation via the rotary pushbutton is particularly well suited for jumping between different contents.



If you want to select a function directly, you'll appreciate the touch function on the CEMIS 700.



If you have come to appreciate controlling your machine via keys on the control units, you can also enjoy this functionality with the CEMIS 700. Many drivers are familiar with thumb controls, which are also particularly user-friendly in the field.



For those who know numbers are for keeping score. VARIANT stands for high quality forage.

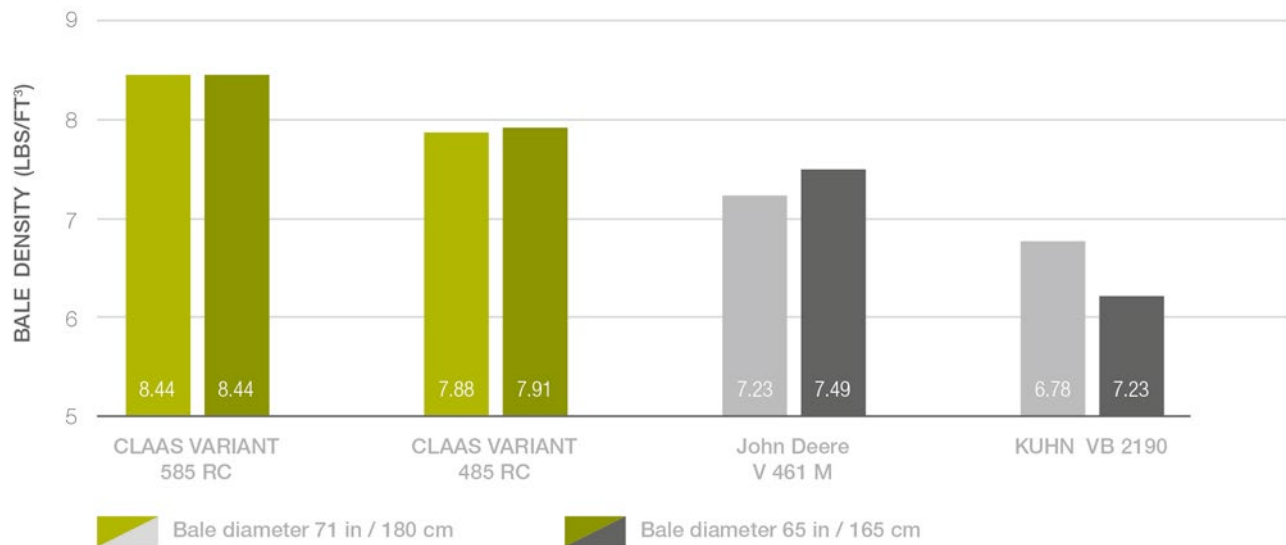
The higher the density, the fewer bales per field...

Fewer bales means:

- Less net wrap and film wrap
- Reduced fuel consumption
- Less labor
- Less machine depreciation

VARIANT round balers have unmatched bale density in all crops, from wet baleage to dusty straw, these machines get the crop packed tightly.

OUTPERFORMING BALE DENSITY EVEN IN STRAW*



* Derived from internal studies, 2022

An average bale density of 8.44 pounds per cubic foot, versus 6.78 pound per cubic foot could save \$4,500 per 1,000 straw bales!

For silage bales which have a higher density due to their moisture, a bale density study from Penn State University found out that on 500 acres, an increase in average bale density by 3 cubic foot could save \$11,630 over 5-years!

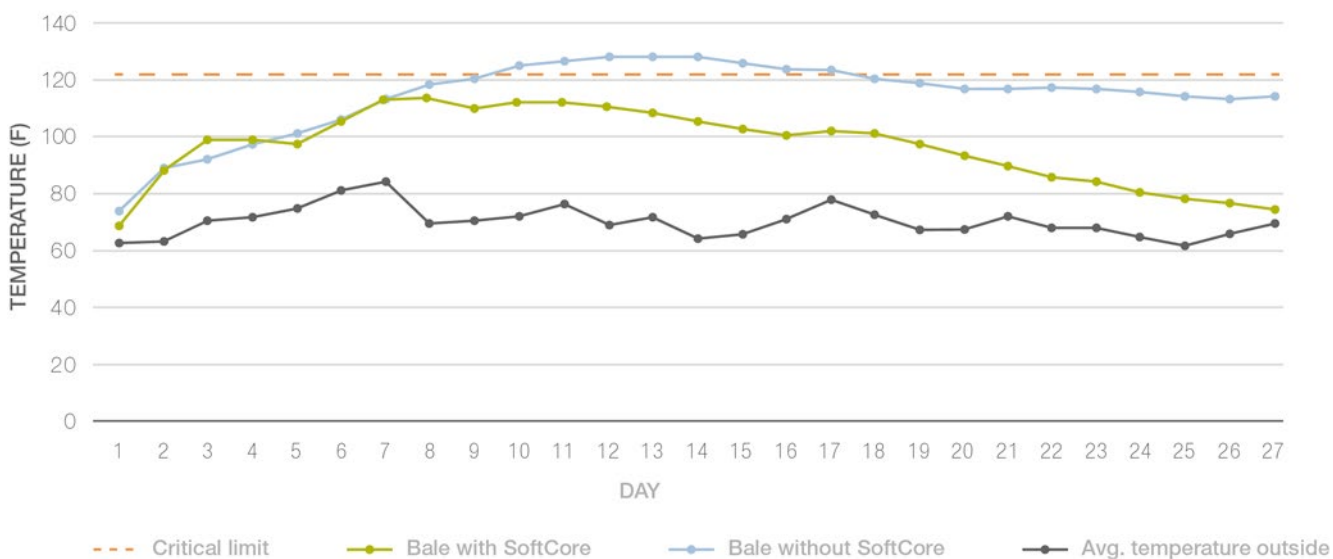
...and the better the fermentation!

Better fermentation means:

- Less risk of mold, butyric acid and ammonia
- No spoilage while in storage
- Higher level of dry matter and crude proteins at feed out
- Ultimately high milk or meat production

Your hay is a little too wet, but rain is moving closer? Without leaving your cab, you can change from high density to real soft core bales to prevent the bales from heating up, thus ensuring feed quality.

HAY BALES WITH 20% MOISTURE: DEVELOPMENT OF BALE TEMPERATURE (AT 12 PM)*



* Derived from internal studies, 2022

When moisture content of hay increases, so does the microbial activity and decay, thus generating heat. A hay bale is considered spoiled when it reaches temperatures above 120°F. With a real soft core from the VARIANT, residual moisture and heat can dissipate. The resulting bale temperatures below 120°F prevent your bales from dry matter loss, mold and decrease in protein digestibility.

In contrast, silage bales with moisture contents above 40% benefit from the high density capacity of the VARIANT. Maximum density of silage bales helps ensure proper fermentation, high feed value and prolonged bunk life.

No matter the conditions, the versatility of the VARIANT makes producing high quality feed a breeze!

Specifications.

VARIANT		585 RC PRO	565 RC PRO	580 RF / RC	560 RF / RC
Attachment					
PTO shaft speed	rpm	1,000	1,000	● 540 ○ 1,000	● 540 ○ 1,000
Power requirement	hp/kW	102/75	102/75	102/75	102/75
Main drive and drive chains		Heavy-duty, 1 1/4"	Heavy-duty, 1 1/4"	Standard, 1"	Standard, 1"
Hydraulic connection					
Single-acting spool valve for pick-up lift		●	●	●	●
Double-acting spool valve for tailgate rams		●	●	●	●
Additional double-acting spool valve for PRO cutting frame		●	●	○	○
Pick-up					
Width	in (m)	● 83 (2.1) ○ 92.5 (2.35)	● 83 (2.1) ○ 92.5 (2.35)	● 83 (2.1) ○ 92.5 (2.35)	● 83 (2.1) ○ 92.5 (2.35)
Ground adaptation with 2 castor guide wheels		●	●	●	●
Roller crop press		○	○	○	○
Double roller crop press		○	○	○	○
Pick-up wheels 16/6.50-8 10 PR		●	●	●	●
Crop feed					
Forced feed with		Heavy Duty ROTO CUT	Heavy Duty ROTO CUT	ROTO FEED / ROTO CUT	ROTO FEED / ROTO CUT
Number of knives (with ROTO CUT)		17	17	14	14
Hydraulically lowerable PRO cutting frame		○	○	○	○
Variable bale chamber					
High-strength endless belts	Qty.	4	4	4	4
Belt speed	ft/s (m/s)	10 (3)	10 (3)	10 (3)	10 (3)
SMART DENSITY		●	●	●	●
Secondary belt drive		●	●	●	●
Moisture sensor		○	○	○	○
Soft-core device, pressure and diameter adjustable		●	●	●	●
Bale chamber dimensions					
Width	in (m)	48 (1.2)	48 (1.2)	48 (1.2)	48 (1.2)
Diameter	in (m)	36 - 71 (.9 - 1.8)	36 - 63 (.9 - 1.6)	36 - 71 (.9 - 1.8)	36 - 63 (.9 - 1.6)
Operation					
CEMIS 700		●	●	●	●
ISOBUS cables		○	○	○	○
Camera		○	○	○	○
Service lights		○	○	○	○
Central chain lubrication		●	●	●	●
Manual individual lubrication		●	●	●	●
Manual central lubrication		○	○	○	○
Automatic, electric central lubrication		○	○	○	○

● Standard ○ Optional – Not available

©2023 CLAAS of America Inc. All descriptions and specifications should be considered approximate and may include optional equipment. In certain cases, protective panels have been removed to show detail. To avoid risk of injury, never remove these panels yourself. Please refer to operators manual for instructions. Product and specifications subject to change without notice.

VARIANT		585 RC PRO	565 RC PRO	580 RF / RC	560 RF / RC
Baling					
Guiding plate		●	●	●	●
Net wrapping with automatic wrapping start		●	●	●	●
CLAAS Covered XW net wrapping		●	●	●	●
Dual twine wrapping with automatic wrapping start		○	○	○	○
Comfort wrapping/tying (number of net wraps can be selected from the cab)		●	●	●	●
Selectable number of net wraps		1.6 to 6	1.6 to 6	1.6 to 6	1.6 to 6
Tires					
15(380)/55-17		○	○	● RF ○ RC	● RF ○ RC
19(480)/45-17		●	●	○ RF ● RC	○ RF ● RC
19.6(500)/45-22.5		○	○	○	○
Compressed-air brake system		○	○	○	○
Dimensions and weights					
Length with bale ramp	in (m)	14.5 (4.41)	14.5 (4.41)	14.5 (4.41)	14.5 (4.41)
Width with 380/55-17 tire equipment	in (m)	8.5 (2.59)	8.5 (2.59)	8.5 (2.59)	8.5 (2.59)
Width with 480/45-17 tire equipment	in (m)	8.7 (2.66)	8.7 (2.66)	8.7 (2.66)	8.7 (2.66)
Width with 500/45-22.5 tire equipment	in (m)	8.8 (2.67)	8.8 (2.67)	8.8 (2.67)	8.8 (2.67)
Height	in (m)	10.1 (3.07)	9.5 (2.89)	10.1 (3.07)	9.5 (2.89)
Minimum weight (depending on the equipment package)	lbs (kg)	7,363 (2,950)	7,242 (3,285)	6,746 (3,060)	6,625 (3,005)
Maximum weight (depending on the equipment package)	lbs (kg)	8,874 (4,025)	8,752 (3,970)	8,675 (3,935)	8,554 (3,880)

Whatever it takes – CLAAS Service & Parts.



Reliability can be planned.

With our service products, you can increase your machine reliability and minimize your risk of breakdowns with confidence. CLAAS MAXI CARE offers planned reliability for your machine.



On Your Farm Parts.

Have the parts you need, right where you need them. The CLAAS On Your Farm Parts program allows you to customize a selection of parts to keep on your farm in order to keep your machine running. CLAAS is committed to supporting your parts needs.



Global supply.

The CLAAS Parts Logistics Center in Hamm, Germany, stocks almost 200,000 different parts and has a warehouse area of over more than one million square feet. This central spare parts warehouse delivers all ORIGINAL parts quickly and reliably all over the world. This means that your local CLAAS partner can supply the right solution for your harvest or your business within a very short time.



Your local CLAAS distributor.

Wherever you are, you can count on us to always provide you with the service and the contact persons you need. Your CLAAS Dealers are on hand in your local area, ready to support you and your machine around the clock. With know-how, experience, commitment and the best technical equipment. Whatever it takes.



CLAAS of America Inc.
8401 S 132nd Street
Omaha, NE 68138
Phone (402) 861-1000
www.claas.com

CL99881065 / 3/2023